

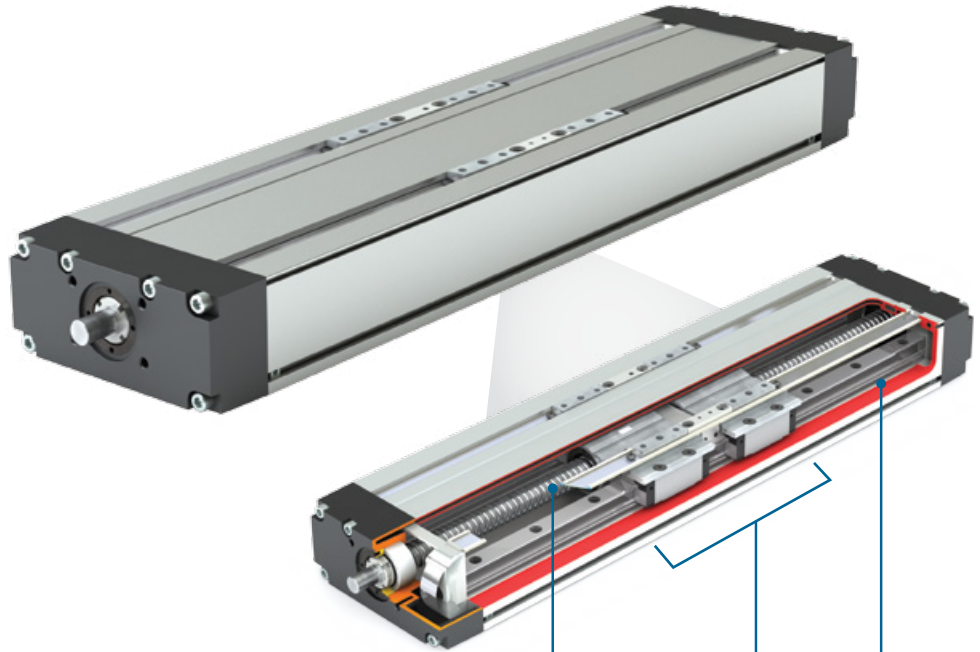
MUK Series

SCREW DRIVEN LINEAR ACTUATOR



FEATURES & BENEFITS

- Incorporates two 20 mm recirculating ball profile rail guideways
- Load capabilities up to 11200 N
- Maximum stroke = 1500 mm
- Single or dual carriage options available
- Class 7 ball screw is standard—consult factory for other options
- Compact aluminum profile incorporates t-slots for easy sensor mounting



TECHNICAL DATA

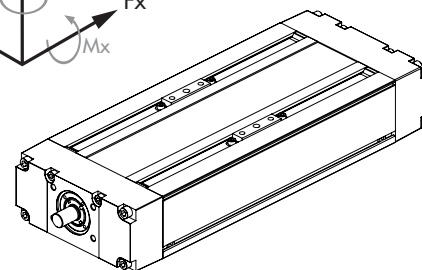
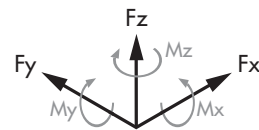
| SIZE | | MUK65-1 | | | MUK65-2 | | | |
|----------------|----|-----------------|------|------|---------------|-------|------|------|
| | | SINGLE CARRIAGE | | | DUAL CARRIAGE | | | |
| Carriages | | 1 | | | 2 | | | |
| Stroke Max | mm | 1500 | | | 1500 | | | |
| Stroke Min | mm | - | | | - | | | |
| Pitch | mm | 5 | 10 | 20 | 5 | 10 | 20 | |
| Screw Diameter | mm | 20 | | | 20 | | | |
| Base Weight | kg | 2.8 | | | 4.1 | | | |
| Add per 100 mm | kg | 0.75 | | | 0.75 | | | |
| Inertia Moment | lx | cm ⁴ | | | 90 | | | |
| | ly | cm ⁴ | | | 687 | | | |
| Max Load | fx | n | 3597 | 2996 | 1798 | 3597 | 2996 | 1798 |
| | fy | n | 8500 | | | 11200 | | |
| | fz | n | 8500 | | | 11200 | | |
| Max Moments | mx | nm | 550 | | | 950 | | |
| | my | nm | 330 | | | 1150 | | |
| | mz | nm | 330 | | | 1150 | | |

Note: The moments and loads above are maximum values. For further information, contact PBC Linear. Class 7 ball screw is standard.

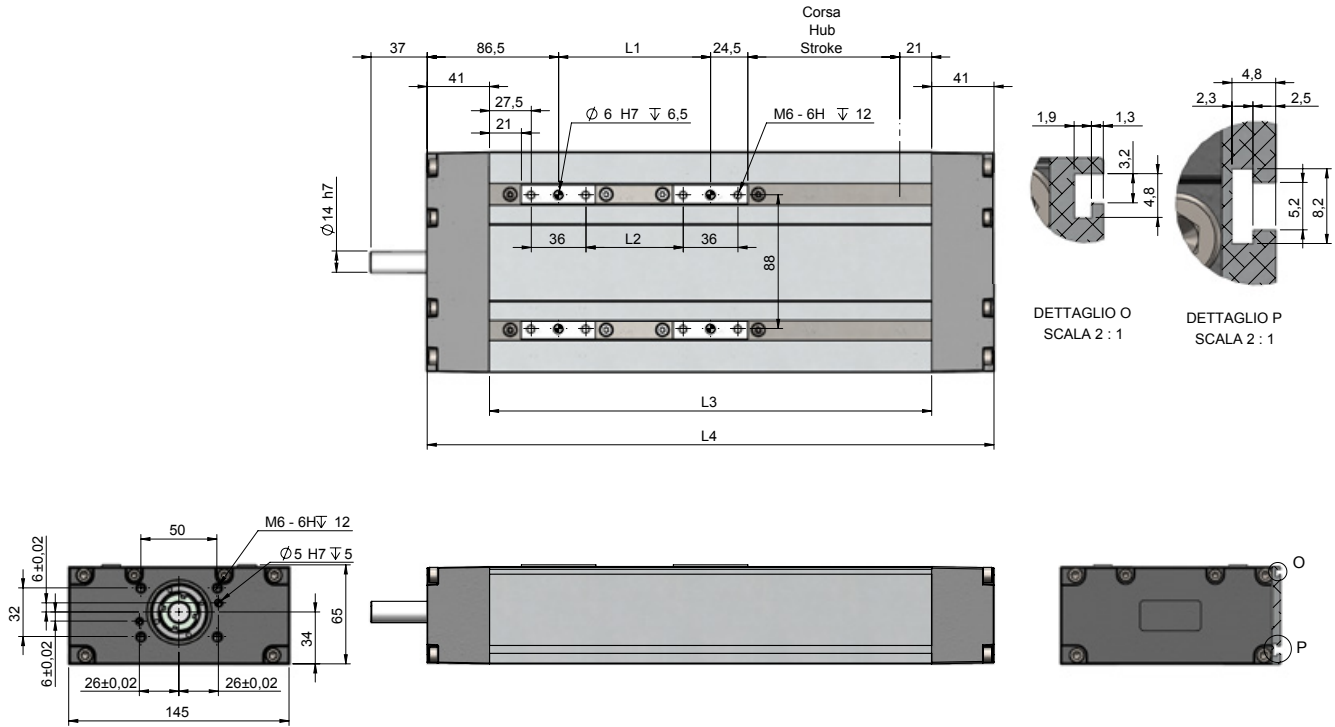
Ball Screw Driven

Dual carriage configuration shown, equipped with four profile rail bearing blocks

Incorporates two parallel 20 mm recirculating ball profile rail guideways



DIMENSIONAL INFORMATION



| DIMENSION | MUK65-1 SINGLE CARRIAGE | MUK65-2 DUAL CARRIAGE |
|-----------|----------------------------|--------------------------|
| L1 | 0 | 100 |
| L2 | 0 | 64 |
| L3 | 49 | 149 |
| L4 | 91 + Stroke | 191 + Stroke |
| L5 | 173 + Stroke | 273 + Stroke |

ORDERING INFORMATION

| | | | | | | | | | | | | |
|---------------|-------------|----------|------------------------|----------|---------------|----------|-----------------------|----------|---------------------------------------|----------|--------------------------------------|---|
| MUK | 65 | - | 1 | - | 0500 | - | 20 | - | 05 | - | R | A |
| SERIES | SIZE | | CARRIAGES | | STROKE | | SCREW DIAMETER | | SCREW PITCH | | SCREW TYPE | SHAFT VERSION |
| MUK | 65 x 145 | | 1 = Single 2 = Dual | | 0-1500 mm | | Ø20 mm | | 05 = 5 mm 10 = 10 mm 20 = 20 mm | | Rolled Screw with Ball Recirculating | A = Without Key Shaft B = With Key Shaft |

Product information and 2D/3D CAD drawings available for download at www.pbclinear.com
 For technical & application information call **1-888-962-8979**.

The data and specifications in this publication have been carefully compiled and are believed to be accurate and correct. However, it is the responsibility of the user to determine and ensure the suitability of PBC Linear® products for a specific application. PBC Linear® only obligation will be to repair or replace without charge, any defective components if returned promptly. No liability is assumed beyond such replacement. Specifications are subject to change without notice.

LITMUK-003 r1 [2-16]